

UP3

Universal Prime Power Platform

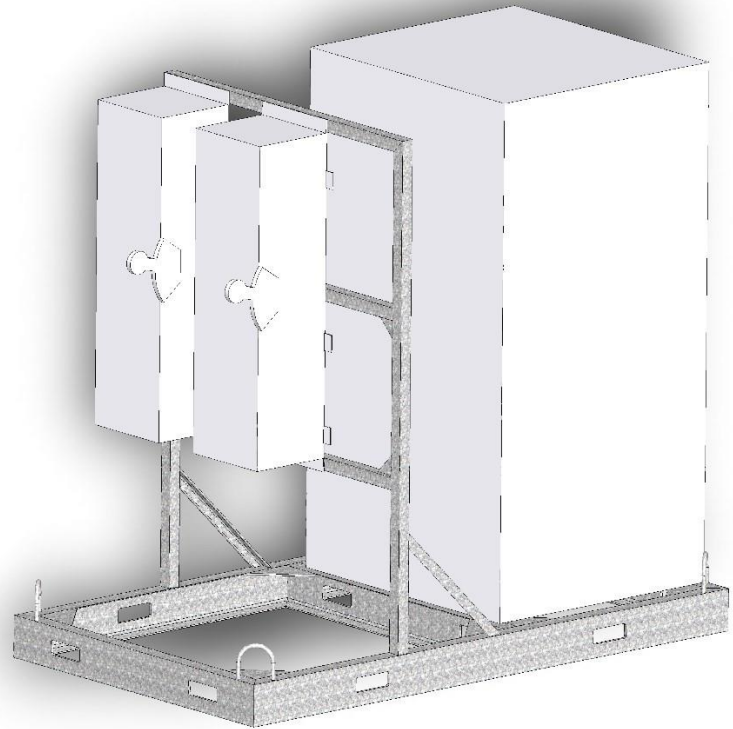
The Universal Prime Power Platform (UP3) from Skywire Design is a transportable, skid-mounted prime power conversion system that accepts all standard 3-phase voltages from 220 VAC to 480 VAC and converts them to nominal 208 VAC. This allows facility and system designers to standardize their builds around a 208/120 VAC architecture without concern over where in the world their system will be deployed.

At only 4 ft [1.2m] x 6 ft [1.8m], the UP3's small footprint makes both shipping and deployment simple. The skid can be lifted from any side by a forklift, or with a small crane connected to the lifting eyes at the four corners.

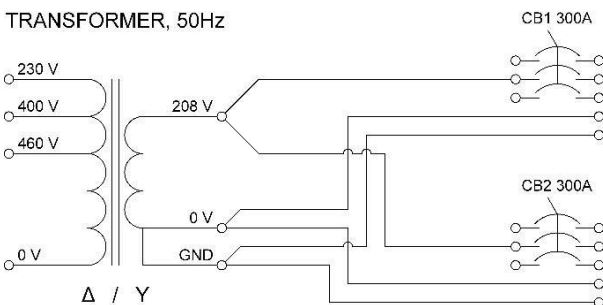
Supplied power is connected to the primary side of the transformer via fixed lugs wired internally to three different tap locations. Secondary branch circuits may be connected to the output of enclosed circuit breakers via lugs or optional cam-lock connectors.

Durability under the harshest conditions is assured as both the transformer cabinet and the breaker enclosures are manufactured from stainless steel alloy. These enclosures can be delivered bright or painted to customer preference. Standard colors include Munsell green and ANSI 61 gray.

Moreover, the hot-dip galvanized skid and mounting frame are of welded construction and designed to withstand years of tough use.



Universal Prime Power Platform Configuration



Transformer Tap Arrangement & Output Voltage

Hi Tap			Mid Tap			Low Tap		
480	460	440	415	400	380	240	230	220

217	208	199
Output		

208 \pm 4.3% VAC



Office: 1134 Commerce Drive, Richardson, TX 75081, USA
Phone: +1.972.643.1802
Email: info@skywiredesign.com